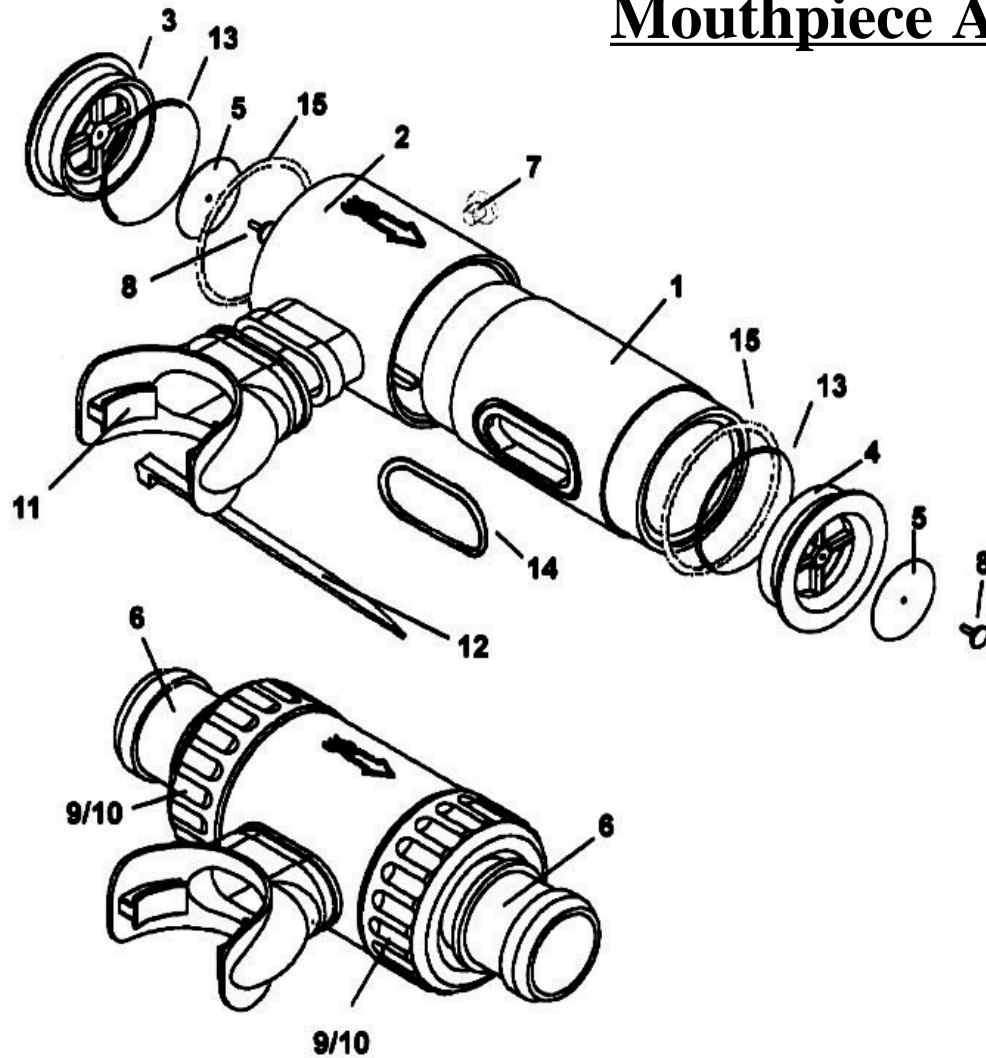
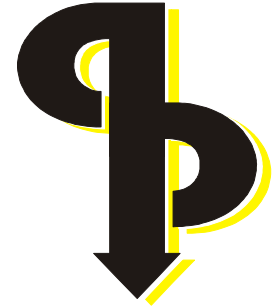


Mouthpiece Assembly



ITEM	REFERENCE	DESCRIPTION
1	RB02/01	Inner Tube
2	RB02/02	Outer Tube
3	RB02/03	Diaphragm Holder (Inhale)
4	RB02/04	Diaphragm Holder (Exhale)
5	RB02/05	Diaphragm
6	RB02/06	Mouthpiece Hose Swivel Stem
7	RB02/07	Location Pin
8	RB02/08	Diaphragm Pip
9	RB02/09	Hose Lock Ring
10	SC102	Size 4 1/4" Self Tapping Screw
11	AP16	Mouthpiece
12	AP21	Ty Wrap
13	BS.029N70	Oring BS 029 N 70° Shore
14	BS.125N70	Oring BS 125 N 70° Shore
15	BS.032N70	Oring BS 032 N 70° Shore